

Printer Controller EB-105 (G588)

Printer Controller EB-105 (G588)

PARTS CATALOG

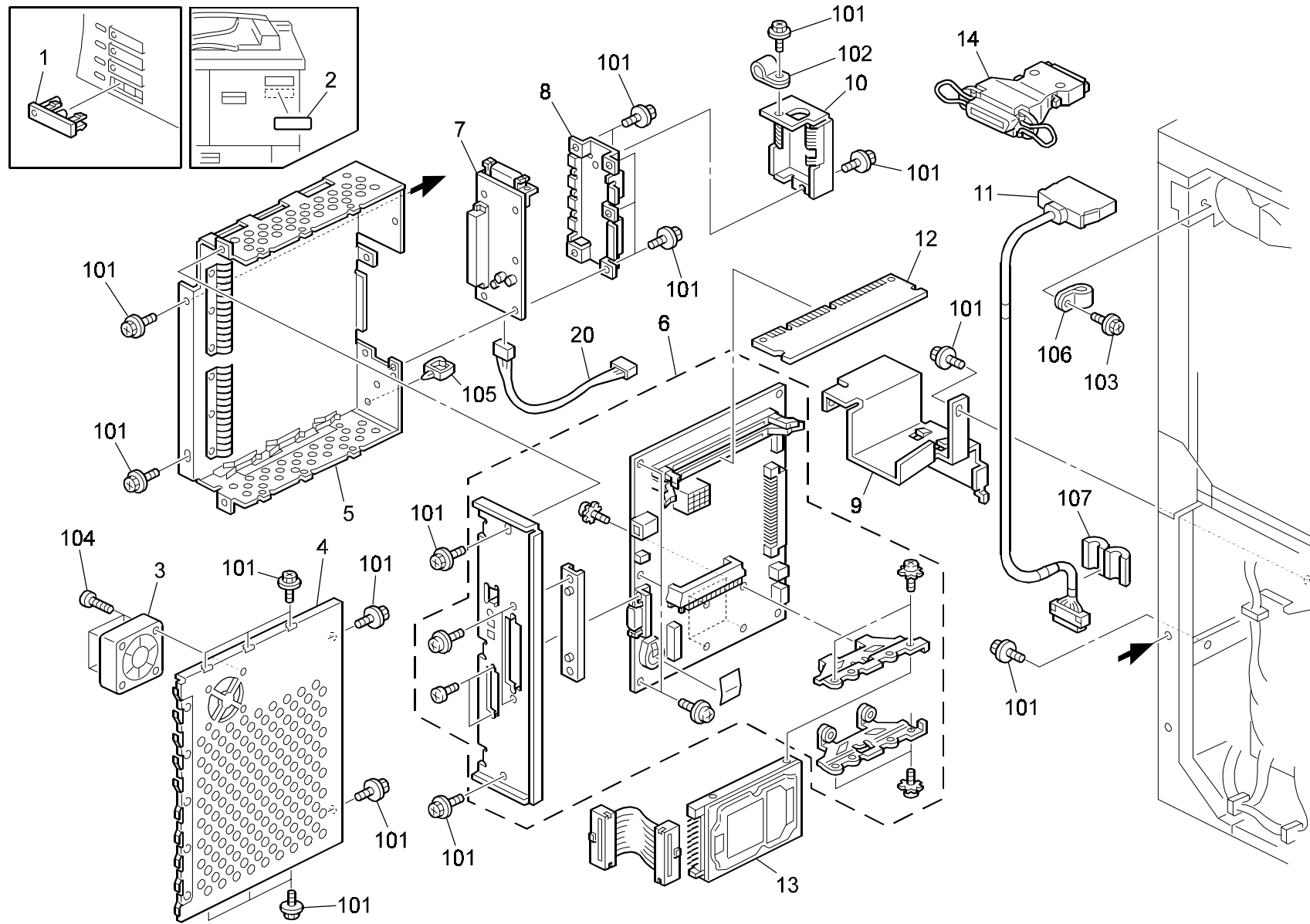
This catalog gives the numbers and names of parts on this machine.

CONTENTS

1.Printer Controller (G588).....	2
Parts Index.....	5

June 25 ,2000

1. Printer Controller (G588)



1.Printer Controller (G588)

Index No.	Part No.	Description	Q'ty Per Assembly
1	B335 1450	Keytop - Printer NA	1
1	B335 1451	Keytop - Printer EU	1
2	AA00 3008	Decal - EB-105	1
3	AX64 0121	Fan Motor - DC5V 0.6W	1
4	G588 5402	Control Board Cover	1
5	G588 5400	Control Board Bracket	1
6	G588 5110	Control Board Ass'y	1
7	G588 5200	Mother Board	1
8	B336 5409	Mother Board Cover	1
9	G588 5410	Printer Controller Stay	1
10	B336 5400	Connector Cover	1
11	B316 5450	Video Harness	1
12	G588 5120	IC - 64MB	1
13	G588 5130	HDD	1
14	G588 5140	Plug - IEEE1284 Type C	1

Index No.	Part No.	Description	Q'ty Per Assembly
101	0451 3006B	Tapping Screw - M3x6	
102	1105 0005	Nylon Clamp - 3n	
103	0451 4008B	Philips Tapping Screw - M4x8	
104	0451 3014B	Tapping Screw - M3-14	
105	1105 0265	Clamp	
106	1105 0306	Metal Clamp - Al-4	
107	1607 0672	Ferrite Core	

Parts Index

Parts Index

Part No.	Description	Page and Index No.
G588 5110	Control Board Ass'y	3- 6
G588 5120	IC - 64MB	3- 12
G588 5130	HDD	3- 13
G588 5140	Plug - IEEE1284 Type C	3- 14
G588 5200	Mother Board	3- 7
G588 5400	Control Board Bracket	3- 5
G588 5402	Control Board Cover	3- 4
G588 5410	Printer Controller Stay	3- 9

Part No.	Description	Page and Index No.
AA00 3008	Decal - EB-105	3- 2
AX64 0121	Fan Motor - DC5V 0.6W	3- 3
B316 5450	Video Harness	3- 11
B335 1450	Keytop - Printer NA	3- 1
B335 1451	Keytop - Printer EU	3- 1
B336 5400	Connector Cover	3- 10
B336 5409	Mother Board Cover	3- 8
G588 5110	Control Board Ass'y	3- 6
G588 5120	IC - 64MB	3- 12
G588 5130	HDD	3- 13
G588 5140	Plug - IEEE1284 Type C	3- 14
G588 5200	Mother Board	3- 7
G588 5400	Control Board Bracket	3- 5
G588 5402	Control Board Cover	3- 4
G588 5410	Printer Controller Stay	3- 9
0451 3006B	Tapping Screw - M3x6	3-101
0451 3014B	Tapping Screw - M3-14	3-104
0451 4008B	Philips Tapping Screw - M4x8	3-103
1105 0005	Nylon Clamp - 3n	3-102
1105 0265	Clamp	3-105
1105 0306	Metal Clamp - AI-4	3-106
1607 0672	Ferrite Core	3-107